

# Our big powerful

## Single Shaft Shredder AZR 600 - AZR 2000 S Gigant



**economic - robust - powerful**

In the process of production you have waste. This can be shredded and recycled for further applications. The single shaft shredders of the series AZR 600 - AZR 2000 S Gigant offers for that extremely powerful solutions.

Further features include: robust design, high throughput rates, excellent reliability, operator-friendly, easy maintenance, low operating costs, wide range of applications.





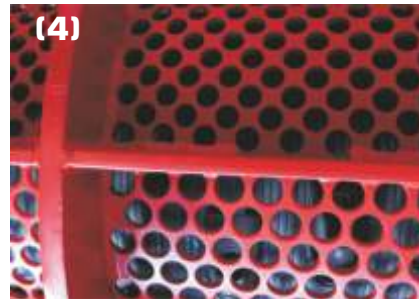
## Compact Single Shaft Shredders: series AZR 600 - AZR 800 S



- (1)** The rotor shaft is made of solid steel. The cutting gap between rotor and counterknife is adjustable (optional)
- (2)** Hydraulic feed to ensure constant material feed to the rotor
- (3)** Hydraulic cylinders suspended by cardanic joints are used to prevent the service life of piston cups being shortened
- (4)** Variable screens for adjusting the size of chips to individual needs
- (5)** Security package with gear end limit switch and reverse counter



Rotor-Version 5



Type		AZR 600	AZR 600 S	AZR 800	AZR 800 S
Hopper opening	(mm)	600 x 800	600 x 900	800 x 1.000	800 x 1.200
Hopper volume	(m³)	0,6	0,7	0,9	1,2
Troughput rate		depending on the type of material and screen used			
Rotor-Ø	(mm)	252	354	252	354
Rotor speed (approx. UpM)		90	90	90	90
Power consumption	(kW)	11/15/18,5	15/18,5/22	15/18,5/22	18,5/22/30/37
Tools	(Pcs.)*	15/30	15/30/45	20/40	20/40/60
Screen perforation	(mm)	10-40	10-40	10-40	10-40
Suction port-Ø	(mm)	160	200	200	200
Air speed	(m/sec.)	28	28	28	28
Weight	(approx. kg)	1,300	1,700	1,500	2,000

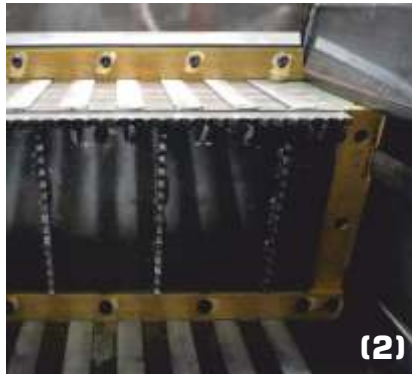
\* Consult your dealer for assistance in selecting the tool which is best suitable for your application profile!



with optional cooling



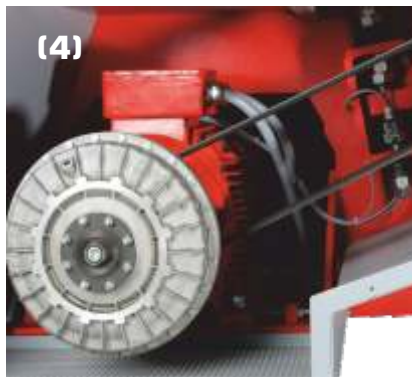
(1)



(2)



(3)



(4)

The following parameters are applicable to all machines of the AZR series:

**Perforation size:**

The standard size is 15/20 mm.

Optional sizes (mm):

10/12, 12/15, 20/25, 25/30, 35/40

Special sizes on request.

**Throughput rate:**

This parameter depends on the type of material to be handled (long, short, wet, dry, etc.) as well as on the size of the screen perforation. A machine usually processes between two and four hopper fillings per hour.

**Removal of chips:**

For this purpose you can use a suction plant, a conveyor screw or a conveyor belt. The minimum air speed for suction plants is 28 m/s.

**Options:**

(1) = Movable screen cage

(2) = Segmented floor 4-sided and serrated plate

(3) = Discharge via worm screw

(4) = Turbo hydraulic from 30 kW

**Powerful grinders: series AZR 1000 - AZR 2000 S**

Type		AZR 1000	AZR 1000 S	AZR 1300 S	AZR 1500 S	AZR 1800 S	AZR 2000 S
Hopper opening	(mm)	1,000 x 1,000	1,000 x 1,200	1,300 x 1,200	1,500 x 1,500	1,800 x 1,500	2,000 x 1,500
Hopper volume	(m <sup>3</sup> )	1,0	1,25	1,65	2,3	2,8	3,0
Throughput rate		depending on the type of material and screen used					
Rotor-Ø	(mm)	252	354	354	354	354	354
Rotor speed (approx. UpM)		90	90	90	90	90	90
Power consumption	(kW)	18,5/22	22/30/37/45	37/45/55	37/45/55/75	45/55/90	45/55/90
Tools	(Pcs.)*	25/50	25/50/75	33/66/99	2 x 45 / 2 x 55	2 x 45 / 2 x 55	49/98/147
Screen perforation	(mm)	10-40	10-40	10-50	37/74/112	45/90/135	49/98/147
Suction port-Ø	(mm)	200	200	250	250	250	250
Air speed	(m/sec.)	28	28	28	32	32	32
Weight	(approx. kg)	1,900	2,800	3,800	4,500	5,800	6,500

\* Consult your dealer for assistance in selecting the tool which is best suitable for your application profile!



**For industrial applications: the series AZR Gigant**



with suction and tube magnet

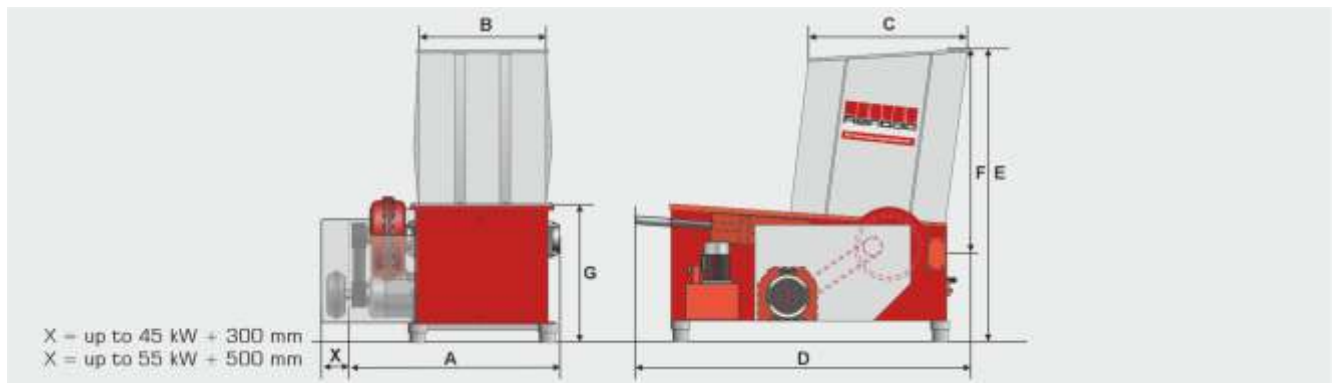


with screw discharge



with discharge and conveyor belt

**Specifications: Dimensions of the AZR Series**



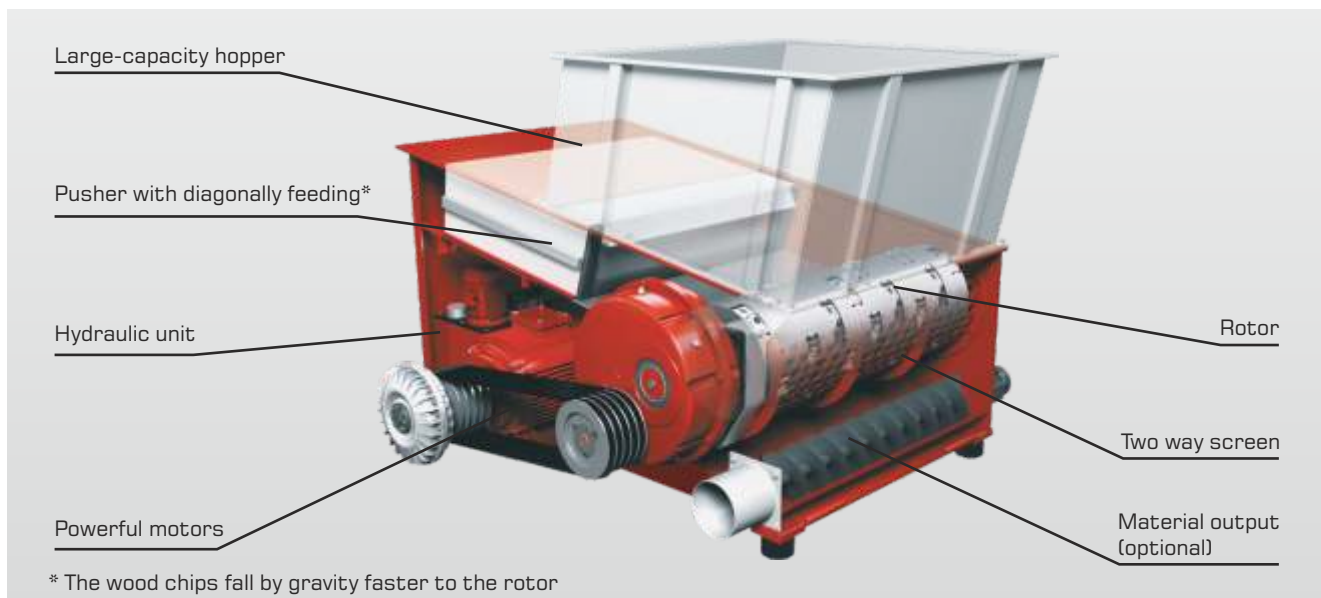
Type	AZR 600	AZR 600 S	AZR 800	AZR 800 S
Size A (mm)	1,100	1,100	1,300	1,340
Size B (mm)	600	600	800	800
Size C (mm)	800	900	1,000	1,200
Size D (mm)	1,800	1,940	2,100	2,420
Size E (mm)	1,640	1,795	1,640	1,730
Size F (mm)	1,090	1,090	1,090	1,020
Size G (mm)	740	880	740	1,000

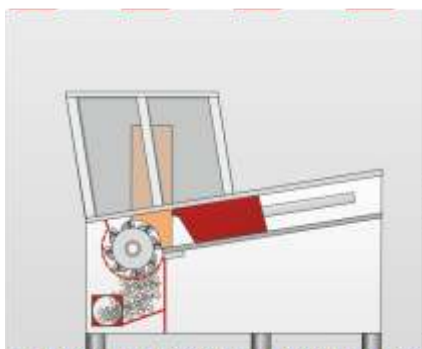
Type	AZR 1000	AZR 1000 S	AZR 1300 S	AZR 1500 S	AZR 1800 S	AZR 2000 S
Size A (mm)	1,500	1,800	2,215	2,300	2,600	2,800
Size B (mm)	1,000	1,000	1,300	1,500	1,800	2,000
Size C (mm)	1,000	1,200	1,215	1,500	1,500	1,500
Size D (mm)	2,100	2,400	2,150	3,000	3,000	3,000
Size E (mm)	1,640	1,720	1,730	1,720	1,720	1,720
Size F (mm)	1,090	1,030	1,030	1,030	1,030	1,030
Size G (mm)	740	990	945	990	990	990



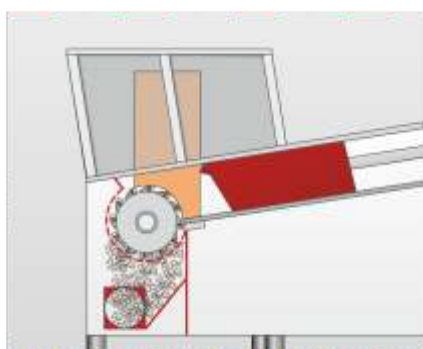
## The functionality of the Single Shaft Shredders:



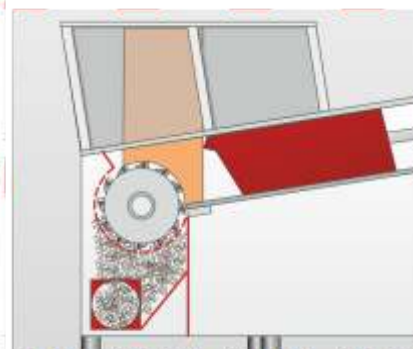
## The different diameters of the rotors:



Rotor with diameter 252 mm for smaller applications



Rotor with diameter 354 mm for higher throughput



Rotor with diameter 482 mm with very high throughput

## Cutting knives, that lower your operating costs!



The use of various types of knives enables job-related adjustment of the shredder to the material being processed.

The highly efficient scissors cut off the concave ground circular cutting heads enable a very high work rate with very little effort. The knife holders are welded or mounted on the rotor and the round knives can be turned up to 8 times with just a few adjustments before having to be exchanged completely.



**Machines from the Reinbold product line:**



Series AZR 600 K - 2000 S K Gigant:  
the single shaft shredder for effective  
plastics shredding



Series RLZ 400 - RHZ 1300 S:  
the horizontal shredder with horizontal  
material feed



Series RMZ 500 - RMZ 1000 S:  
The four-shaft shredder that is ideal  
for shredding long stock



Series RB 20 SV - RB 60 SV:  
the small but powerful briquetting press



Series RB 80 - RB 200 S Flexible:  
for briquetting chips and dust



Series RB 400 RS: for the industrial pro-  
duction of square briquettes

Drawing on its many years of experience, Reinbold, with its broad range of machines, is able to offer ideal solutions for different applications in material shredding and briquetting. Our testing facility is available to perform tests on your material.

**Reinbold Entsorgungstechnik GmbH**

Robert-Mayer-Strasse 5  
74360 Ilsfeld (Germany)  
Phone: +49 (0) 7062 / 97885-0  
Fax: +49 (0) 7062 / 97885-50  
info@reinbold.de  
www.reinbold.de

Your dealer: