

The compact, power-packed

AZR 50 Primus material shredder



economical - sturdy - powerful

The AZR 50 Primus series is the starter model of the single-shaft material shredders with drawer feed. An economical shredder for smaller amounts of wood waste with maximum cost benefit ratio.

Other features include:
Sturdy construction, very reliable, easy to use, easy maintenance, lower operating costs and a wide range of possibilities for use.



AZR 50 Primus material shredder

These machines are designed specifically to meet the demands of modern shredding techniques. Nearly all types of material can be processed economically with the slow-running rotors.

The AZR 60 PRIMUS is the perfect machine for smaller firms. Qualified for the crushing of wood waste and matured timber in a joinery, for example.



The highly efficient scissors cut off the concave ground circular cutting heads enable a very high work rate with very little effort. The knife holders are welded on the rotor and the round knives can be turned up to 8 times with just a few adjustments before having to be exchanged completely.

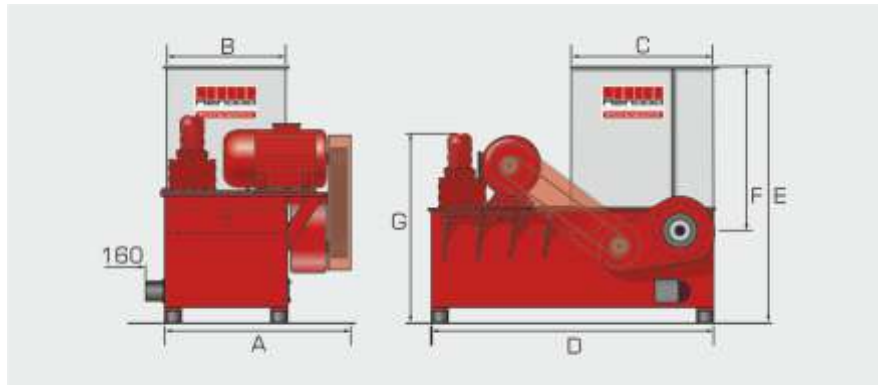


The screen perforation determines the size of the shreds



Belt drive – spur gear reduction

Hydraulic unit and hydraulic cylinder for the drawer. Hydraulic feed for a constant flow of material to the rotor and for continuous shedding.



Type	AZR 50 Primus	
Feed opening	(mm)	500 x 745
Hopper Volume	(m ³)	0.5
Throughput		according to material and screen
Rotor-Ø	(mm)	180
Rotor Speed	(UpM)	100
Power	(kW)	11
Knives	(Pcs.)	28 (with 30 mm Ø)
Screen Perforation	(mm)	10-30
Suction port-Ø	(mm)	160
Air speed	(m/sec)	28
Weight	(approx. kg)	800
Size A	(mm)	1.023
Size B	(mm)	500
Size C	(mm)	745
Size D	(mm)	1.525
Size E	(mm)	1.618
Size F	(mm)	1.015
Size G	(mm)	1.305

Reinbold Entsorgungstechnik GmbH

Robert-Mayer-Strasse 5
74360 Ilsfeld (Germany)
Phone: +49 (0) 7062 / 97885-0
Fax: +49 (0) 7062 / 97885-50
info@reinbold.de
www.reinbold.de

Your dealer: